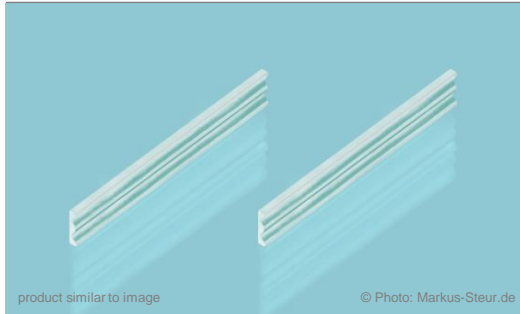


Fast Axis Collimator - FAC160 FS



General Description:

Advanced Optical Solutions |

Acylindrical biconvex lens for the collimation of the fast axis of diode lasers. The lens is made of low OH fused silica and optimized for diode laser bars with power > 300 W CW.

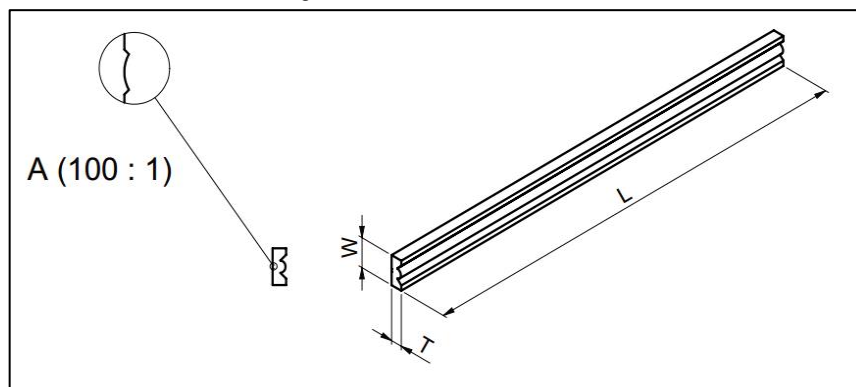
Specification Data	Unit	Value
Material		Fused Silica
Length (L)		12.0 ± 0.05
Width (W)	mm	0.8 ± 0.05
Thickness (T)	mm	0.3 ± 0.01
Clear aperture (Side A)	mm ²	10.5 x 0.027
Clear aperture (Side B)	mm ²	10.5 x 0.262
Surface quality @ 633 nm		λ/4 (typically)
Refractive index n @ 980 nm		1.451
Effective focal length (EFL) @ 980 nm	mm	0.160
Back focal length (BFL) @ 980 nm	mm	0.034
Numerical aperture (NA)		0.8
Standard coating - AR	nm	940 - 998
Transmission	%	> 99
Power within an angle of ± 3.6 mrad (*)	%	> 85

Product Codes

AR-coating	Length 12mm
940 - 998 nm	ZLE002070

On request

- Customized coating
- Customized length
- Bottom or side tab for mounting



RoHS compliant
2002/95/EG

(*) Valid for an emitter-height of 1µm and no smile of the laser diode.

Copyright © 2011 LIMO GmbH. All rights reserved. All LIMO products are patent pending. Subject to change without notice.

Version May 17, 2019