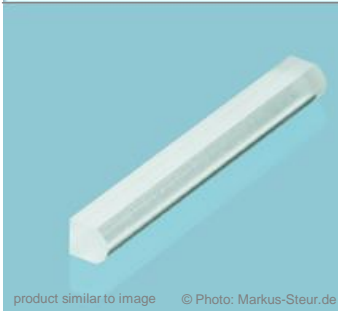


Fast Axis Collimator - FAC200



General Description:

Acylindrical lens for the collimation of the fast axis of diode lasers.

| Advanced Optical Solutions |

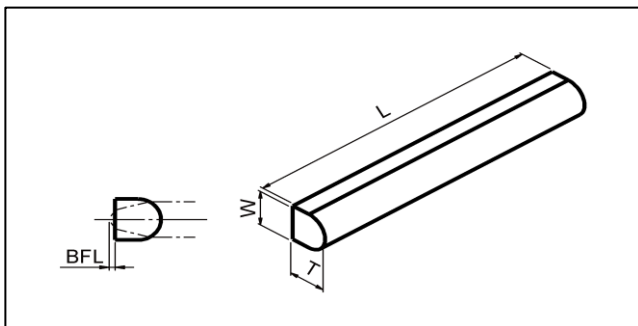
Specification Data	Unit	Value
Material		S-NPH3 (Ohara)
Length (L)	mm	3.15 ± 0.05
	mm	4 ± 0.05
Width (W)	mm	0.37 ± 0.05
Thickness (T)	mm	0.326 ± 0.01
Clear aperture	mm ²	2.7 x 0.27
	mm ²	3.5 x 0.27
Surface quality @ 633 nm		λ/4 (typically)
Refractive index n @ 940 nm		1.914
Effective focal length (EFL) @ 940 nm	mm	0.20
Back focal length (BFL) @ 940 nm	mm	0.03
Numerical aperture (NA)		0.8
Transmission	%	> 99
Power within an angle of ± 3.3 mrad (*)	%	> 85

AR-coating	Length [mm]	Product Codes
900 - 1000 nm	3.15	ZLE001774
790 - 990 nm	4	ZLE002137

On request

Customized coating

Customized length



RoHS compliant
2002/95/EG

(*) Valid for an emitter-height of 1µm and no smile of the laser diode.

Copyright © 2011 LIMO GmbH. All rights reserved. All LIMO products are patent pending. Subject to change without notice.

Version May 16, 2019