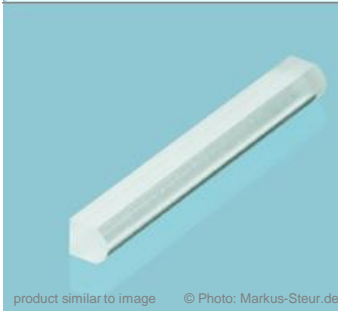


FAC300 (BFL=52μm) - New optimized revision!



General Description:

Acylindrical lens for the collimation of the fast axis of diode lasers.

| Advanced Optical Solutions |

The new revision has an increased power content of >92% within ± 2.2 mrad and >95% of the energy within Gaussian distribution (negligible side peaks)

product similar to image © Photo: Markus-Steuer.de

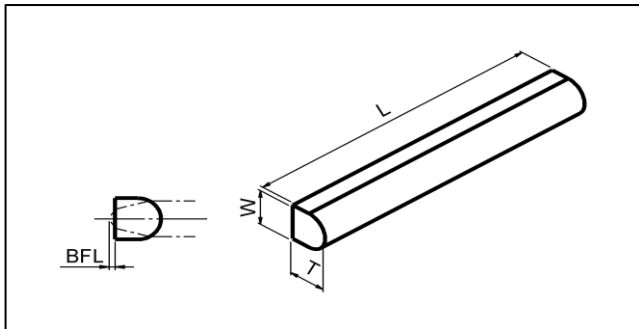
Specification Data	Unit	Value
Material		S-TIH53 (Ohara)
Length (L)	mm	2.0, 4.0, 12.0 ± 0.05
Width (W)	mm	0.55 ± 0.05
Thickness (T)	mm	0.45 ± 0.01
Clear aperture	mm ²	(L-0.5) x 0.4
Surface quality @ 633 nm		λ/4 (typically)
Refractive index n @ 976 nm		1.814
Effective focal length (EFL) @ 976 nm	mm	0.30
Back focal length (BFL) @ 976 nm	mm	0.052
Numerical aperture (NA)		0.8
Standard coating - AR	nm	790 - 990
Transmission	%	> 99
Power within an angle of ± 2.2 mrad (*)	%	> 92
Power within Gaussian distribution	%	> 95 (negligible side peaks)

Product Codes

AR-coating	Length 2 mm	Length 4 mm	Length 12 mm
790 - 990 nm	ZLE001262	ZLE001923	ZLE001258

On request

Customized coating
Customized length



(*) Valid for an emitter-height of 1μm and no smile of the laser diode.

RoHS compliant
2002/95/EG

Copyright © 2011 LIMO GmbH. All rights reserved. All LIMO products are patent pending. Subject to change without notice.

Version May 16, 2019