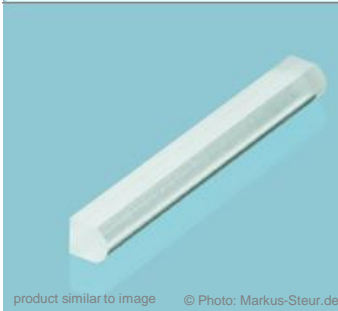


Fast Axis Collimator - FAC360



General Description:

Acylindrical lens for the collimation of the fast axis of diode lasers.

| Advanced Optical Solutions |

Specification Data

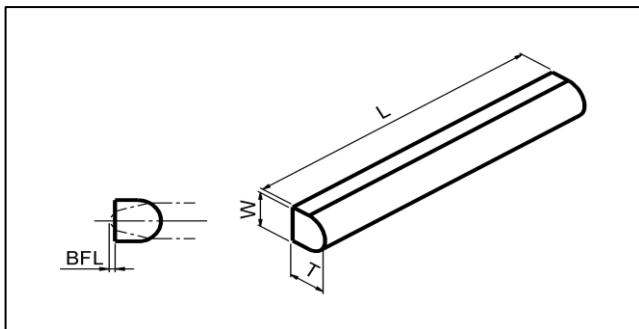
	Unit	Value
Material		S-TiH53 (Ohara)
Length (L)	mm	4.0 ± 0.05
Width (W)	mm	0.6 ± 0.05
Thickness (T)	mm	0.53 ± 0.01
Clear aperture	mm ²	$(L-0.5) \times 0.5$
Surface quality @ 633 nm		$\lambda/4$ (typically)
Refractive index n @ 940 nm		1.816
Effective focal length (EFL) @ 940 nm	mm	0.36
Back focal length (BFL) @ 940 nm	mm	0.07
Numerical aperture (NA)		0.8
Standard coating - AR	nm	770 - 1070
Transmission	%	> 99
Power within an angle of ± 1.8 mrad (*)	%	> 92
Power within Gaussian distribution	%	> 95 (negligible side peaks)

Product Codes

AR-coating	Length 4mm
770 - 1070 nm	ZLE002148

On request

Customized coating
Customized length



(*) Valid for an emitter-height of $1\mu\text{m}$ and no smile of the laser diode.

RoHS compliant
2002/95/EG

Copyright © 2011 LIMO GmbH. All rights reserved. All LIMO products are patent pending. Subject to change without notice.

Version May 16, 2019