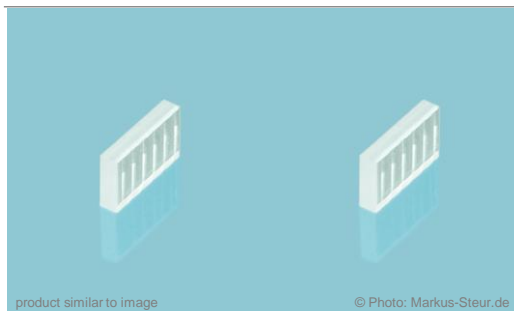


Slow Axis Collimator Array - SACA 1000 μm Pitch



General Description:

| **Advanced Optical Solutions** |

SAC-Arrays for the collimation of the slow axis of diode laser bars with a emitter pitch of 1000 μm .

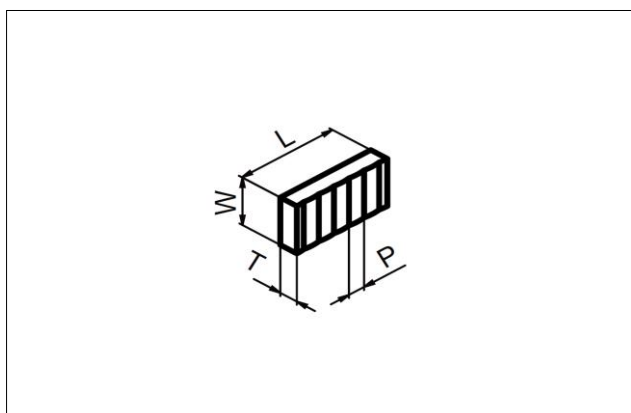
Specification Data

	Unit	ZLA002442	ZLA002282
Material		S-TIH53 (Ohara)	S-TIH53 (Ohara)
Length (L)	mm	5.8 ± 0.05	6.0 ± 0.05
Width (W)	mm	1.5 ± 0.05	1.5 ± 0.05
Thickness (T)	mm	1.0 ± 0.05	1.0 ± 0.02
Clear aperture	mm^2	5.0×1.0	5.0×1.28
Pitch (P)	mm	1.0	1.0
Radius	mm	6.520	2.854
Surface quality @ 633 nm		$\lambda/4$ (typically)	$\lambda/4$ (typically)
Refractive index n @ 976 nm		1.814	1.814
Standard coating - AR	nm	790 - 990	895 - 1005
Transmission	%	> 99	> 99
Effective focal length (EFL) @ 976 nm	mm	8.01	3.50
Back focal length (BFL) @ 976 nm	mm	7.45	2.95
Numerical aperture (NA) ¹		0.056	0.13
Typical remaining divergence ¹ FW 1/e ²	mrاد	12.5	28.5

¹For a 100 μm emitter size and no smile of the laser diode

On request

- Customized coating
- Other dimensions
- Bottom tab for mounting



RoHS compliant
2002/95/EG

Copyright © 2011 LIMO GmbH. All rights reserved. All LIMO products are patent pending. Subject to change without notice.

Version May 16, 2019