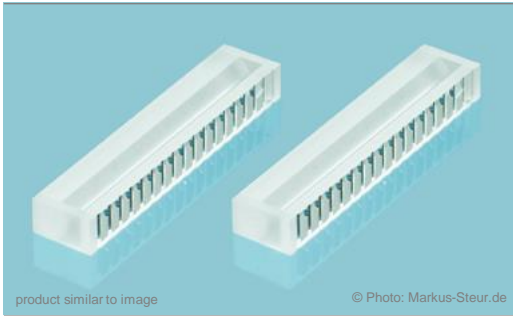


FAC-SAC Collimation Module

Product number: MOD000568



General Description:

| Advanced Optical Solutions |

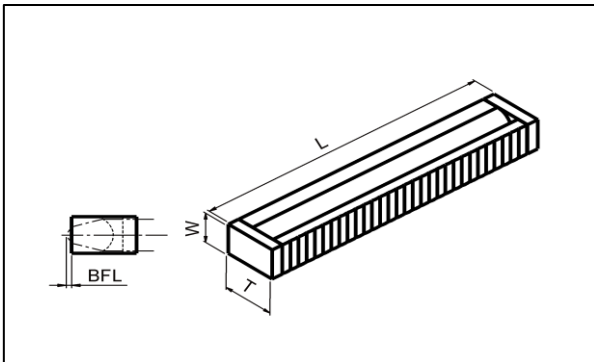
Collimation module consisting of FAC590 and SAC100-500 mounted with side tabs for the collimation of the fast and slow axis of diode lasers. Emitter size of up to 100 μm and emitter pitch 500 μm .

Specification Data

	Unit	Value
Material		S-TIH53 (Ohara)
Length (L)	mm	11.5 ± 0.25
Width (W)	mm	1 ± 0.05
Thickness (T)	mm	3.34 ± 0.05
Clear aperture	mm^2	9.5×0.9
Surface quality @ 633 nm		$\lambda/4$ (typically)
Back focal length (BFL) @ 808 nm	mm	0.15
Pitch	mm	0.5
Standard coating - AR	nm	790-990
Transmission	%	> 98
Fast axis power within an angle of ± 1.1 mrad (*)	%	> 85
Slow axis remaining divergence FW $1/e^2$	mrad	40 (typically)

On request

Customized coating
Bottom tab for mounting



(*) Valid for an emitter-height of 1 μm and no smile of the laser diode.

RoHS compliant
2002/95/EG

Copyright © 2011 LIMO GmbH. All rights reserved. All LIMO products are patent pending. Subject to change without notice.

Version May 16, 2019