

Fiber Coupler

Product number: ZLE000432



General Description:

| Advanced Optical Solutions |

Fiber coupler for the efficient coupling of broad area emitters into optical fibers.

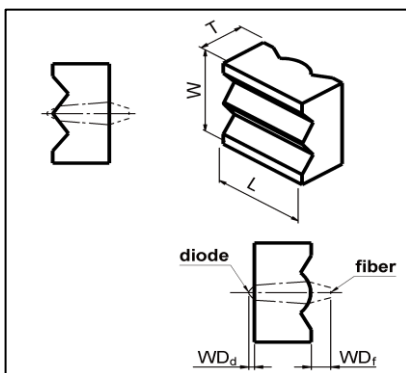
product similar to image

© Photo: Markus-Steur.de

Specification Data	Unit	Value
Material		S-TIH53 (Ohara)
Length (L)	mm	2.0 ± 0.05
Width (W)	mm	2.0 ± 0.05
Thickness (T)	mm	1.02 ± 0.01
Clear aperture	mm ²	0.75 x 0.75
Surface quality @ 633 nm		λ/4 (typically)
Max. numerical aperture (NA)		FA: 0.6 SA: 0.1 (for emitter size of 100 μm)
Distance emitter facet - coupler (WD _d)	mm	0.05
Distance coupler - fiber (WD _f)	mm	0.27
Refractive index n @ 808 nm		1.823
Effective focal length (EFL) @ 808 nm	mm	FA: 0.05 SA: 0.24
Standard coating - AR	nm	790 - 990
Transmission	%	> 99
Typical coupling efficiencies (for AR coated fibers)		
Emitter width ≤ 100 μm, NA 0.10; Fibre φ = 50 μm, NA 0.22	%	> 75
Emitter width ≤ 100 μm, NA 0.10; Fibre φ = 100 μm, NA 0.22	%	> 90
Emitter width ≤ 200 μm, NA 0.10; Fibre φ = 100 μm, NA 0.37	%	> 90
Emitter width ≤ 200 μm, NA 0.10; Fibre φ = 200 μm, NA 0.37	%	> 90

On request

Customized coating



RoHS compliant
2002/95/EG

Copyright © 2011 LIMO GmbH. All rights reserved. All LIMO products are patent pending. Subject to change without notice.

Version May 16, 2019