

# Monolithic Fiber Coupling Optics for Mini-Bars



## General Description:

| Advanced Optical Solutions |

Monolithic fiber coupler for the efficient coupling of the light output of mini-bars with 10 emitters into optical fibers with core diameter of 600  $\mu\text{m}$  or larger and NA of 0.22 or larger.

product similar to image

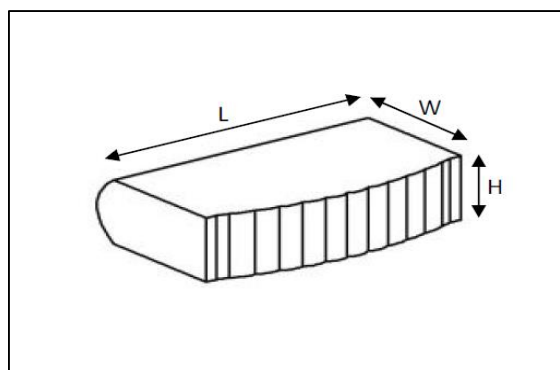
© Photo: Markus-Steur.de

Specification Data	Unit	Value
Material		S-TIH53 (Ohara)
Length (L)	mm	$6.0 \pm 0.1$
Width (W)	mm	$1.5 \pm 0.1$
Thickness (T)	mm	$3.81 \pm 0.05$
Clear aperture	$\text{mm}^2$	$5.0 \times 1.2$
Surface quality @ 633 nm		$\lambda/4$ (typically)
Max. numerical aperture (NA)		FA: 0.5 SA: 0.08
Distance emitter facet - coupler	mm	0.4
Distance coupler - fiber @ 970nm	mm	11.8
@ 640nm	mm	11.45
Transmission	%	> 99
Typical coupling efficiencies (for uncoated fibers)		
10 emitters (width: 90 $\mu\text{m}$ ); Fibre $\phi = 600\mu\text{m}$ , NA 0.22	%	90
10 emitters (width: 90 $\mu\text{m}$ ); Fibre $\phi = 800\mu\text{m}$ , NA 0.22	%	92

AR-coating	Product Code
790 - 990 nm	ZLE001723
600 - 700 nm	ZLE001674

## On request

Customized coating



**RoHS compliant**  
2002/95/EG

Copyright © 2011 LIMO GmbH. All rights reserved. All LIMO products are patent pending. Subject to change without notice.

Version May 16, 2019